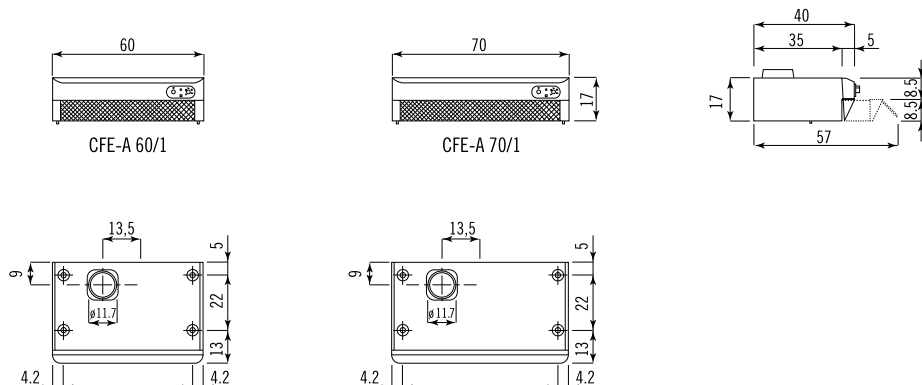


## Cappe aspiranti con filtro estensibile (1-2)

Exhaust hoods with extendible filter

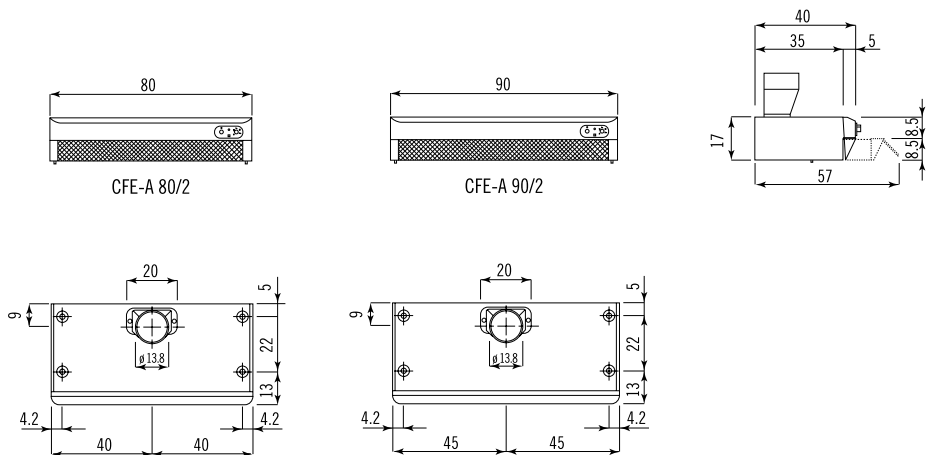
a un motoaspiratore (400 MC/H)

with one powered exhaust fan (400 CU.M./H.)



a due motoaspiratori (800 MC/H)

with two powered exhaust fans (800 CU.M./H.)



(1) Distanza minima dal piano cottura cm 65; Minimum distance of 65 cm from the hob.

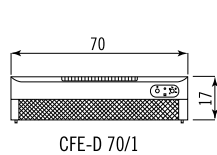
(2) Predisporre un foro di scarico  $\varnothing$  12 cm per cappe a 1 motore e  $\varnothing$  14 cm per quelle a 2 motori; Arrange an exhaust hole  $\varnothing$  12 cm for hood with 1 powered exhaust fan and hole  $\varnothing$  14 cm for those with 2 powered exhaust fans.(3) Predisporre un foro di scarico  $\varnothing$  15 cm per il gruppo aspirante; Arrange an exhaust hole  $\varnothing$  15 cm for the exhaust system.

## Cappe depuranti con filtro estensibile <sup>(1)</sup>

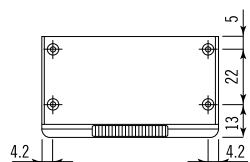
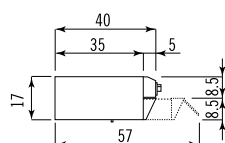
Air cleaning hoods with extendible filter

a un motoaspiratore (400 MC/H)

with one powered exhaust fan (400 CU.M./H.)

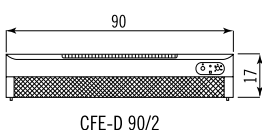


CFE-D 70/1

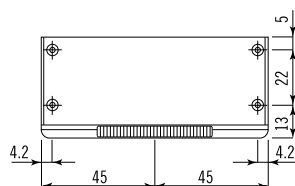
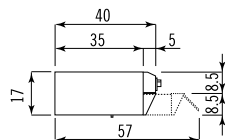


a due motoaspiratori (800 MC/H)

with two powered exhaust fans (800 CU.M./H.)



CFE-D 90/2

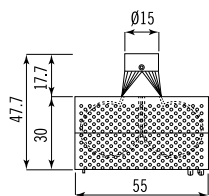


## Gruppo aspirante <sup>(1-3)</sup>

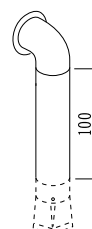
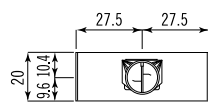
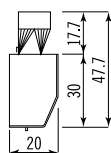
Exhaust system

a due motoaspiratori (800 MC/H)

with two powered exhaust fans 800 CU.M./H.)



GA 20/55-CM



KT/GA

Kit tubo, curva e flangia in acciaio inox  
Kit of stainless steel exhaust pipe, elbow  
and flange